

OF6288

WEIGHT DATA

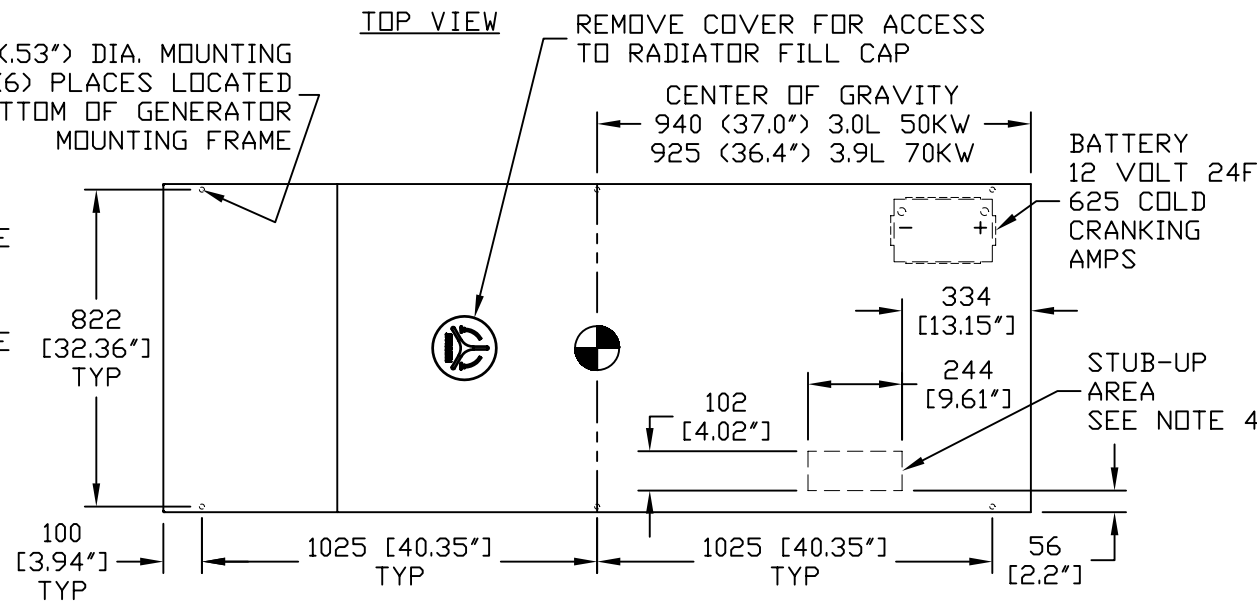
3.0L 50KW - 721KG (1590 LB)
 3.9L 70KW - 800KG (1764 LB)
 WOODEN SHIPPING SKIDS INCREASE
 OVERALL WEIGHT - 79 KG (175 LB)

NOTES:

- 1) MINIMUM RECOMMENDED CONCRETE PAD SIZE: 1460 (57.5") WIDE X 2860 (112.6") LONG. REFERENCE INSTALLATION GUIDE P/N OF5298 FOR CONCRETE PAD REINFORCEMENT AND PAD DEPTH GUIDELINES.
- 2) GENERATOR MUST BE LOCATED A MINIMUM DISTANCE OF 5 FEET FROM A WALL OR FENCE. ALLOW A 5 FOOT MINIMUM PERIMETER OF OPEN SPACE AROUND THE ENTIRE GENERATOR. REFERENCE INSTALLATION GUIDE P/N OF5298 FOR OUTDOOR ROOF MOUNTED APPLICATIONS.
- 3) CIRCUIT BREAKER INFORMATION: SEE SPECIFICATION SHEET WITHIN OWNERS MANUAL.
- 4) INSIDE STUB-UP AREA FOR AC LOAD LEAD CONDUIT CONNECTION, NEUTRAL CONNECTION, BATTERY CHARGER 120 VOLT AC (.5 AMP MAX.) CONNECTION, AND ACCESS TO TRANSFER SWITCH CONTROL WIRES, REMOVE FRONT COVER FOR ACCESS.
- 4A) FIELD CUT HOLE IS ONLY REQUIRED FOR MOUNTING OF GENERATOR ON AN EXISTING PAD.
- 5) REFERENCE OWNERS MANUAL FOR LIFTING WARNINGS.
- 6) REMOVE EITHER LEFT OR RIGHT HAND SIDE PANEL TO ACCESS EXHAUST MUFFLER AND FAN BELT.

13.5 (.53") DIA. MOUNTING HOLE (6) PLACES LOCATED ON BOTTOM OF GENERATOR MOUNTING FRAME

TOP VIEW

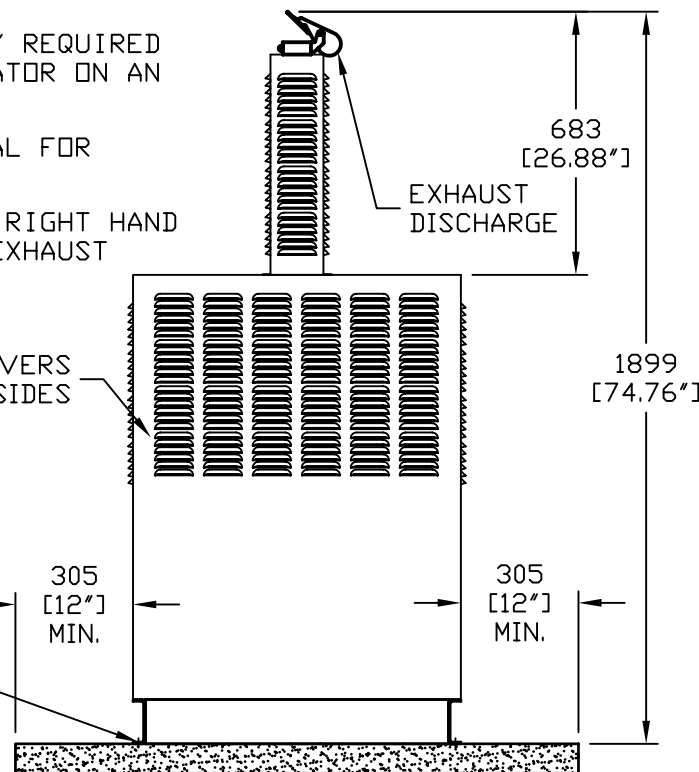


SERVICE ITEM ACCESSIBILITY CHART

SERVICE ITEM	3.0L 50KW	3.9L 70KW
OIL FILL CAP	LOCATED ON LEFT VALVE COVER, ACCESSIBLE THRU LEFT DOOR	
OIL DIP STICK	THRU LEFT DOOR	THRU RIGHT DOOR
OIL FILTER	THRU LEFT DOOR	THRU RIGHT DOOR
OIL DRAIN HOSE	THRU LEFT DOOR	THRU LEFT DOOR
RADIATOR DRAIN HOSE	THRU RIGHT DOOR	THRU RIGHT DOOR
AIR CLEANER ELEMENT	EITHER DOOR	EITHER DOOR
SPARK PLUGS	BOTH DOORS	BOTH DOORS
MUFFLERS	SEE NOTE 6	SEE NOTE 6
FAN BELT	SEE NOTE 6	SEE NOTE 6
BATTERY	THRU RIGHT DOOR	THRU RIGHT DOOR

REFERENCE OWNERS MANUAL FOR PERIODIC REPLACEMENT PART LISTINGS

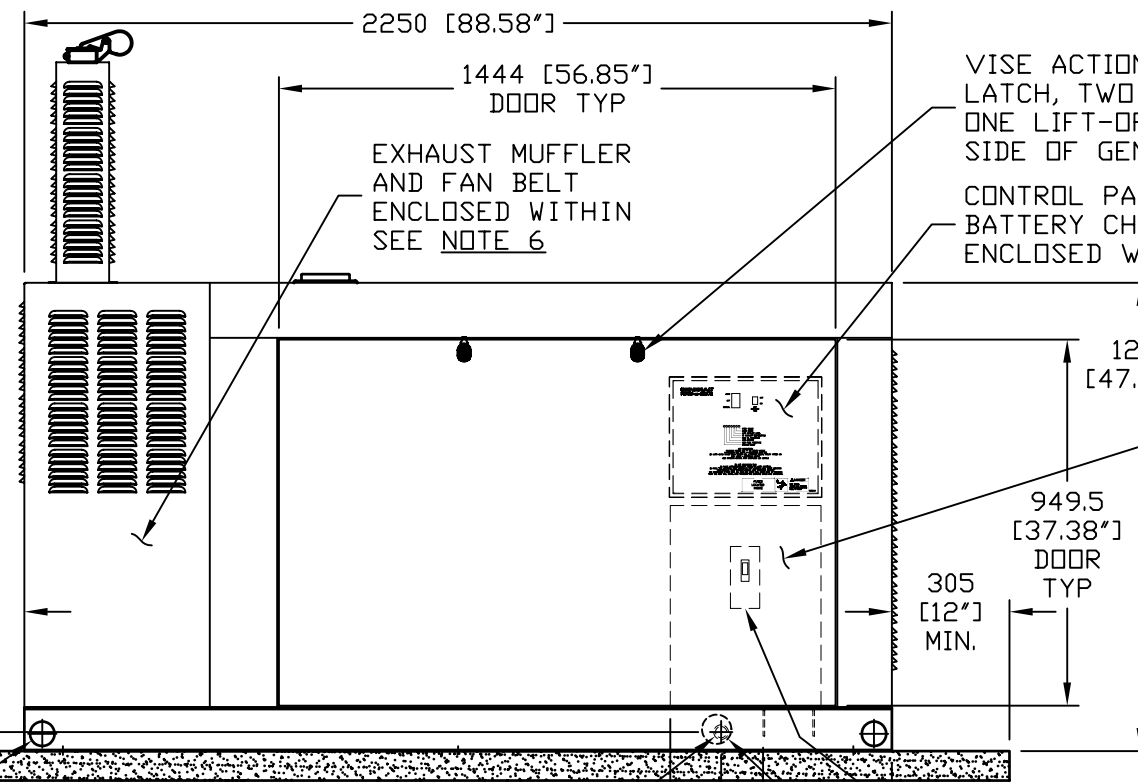
AIR DISCHARGE LOUVERS FRONT AND SIDES



FRONT VIEW

CONCRETE MOUNTING PAD (SEE NOTE 1)

LIFTING PROVISION (4) PLACES, SEE NOTE 5 AND CENTER OF GRAVITY DIMENSIONS



LEFT SIDE VIEW

NATURAL GAS LINE CONNECTION
 3/4" NPT FEMALE COUPLING - 3.0L 50KW
 1-1/4" NPT FEMALE COUPLING - 3.9L 70KW
 LOCATED ON OPPOSITE (RH) SIDE

STUB-UP AREA

CIRCUIT BREAKER SEE NOTE 3

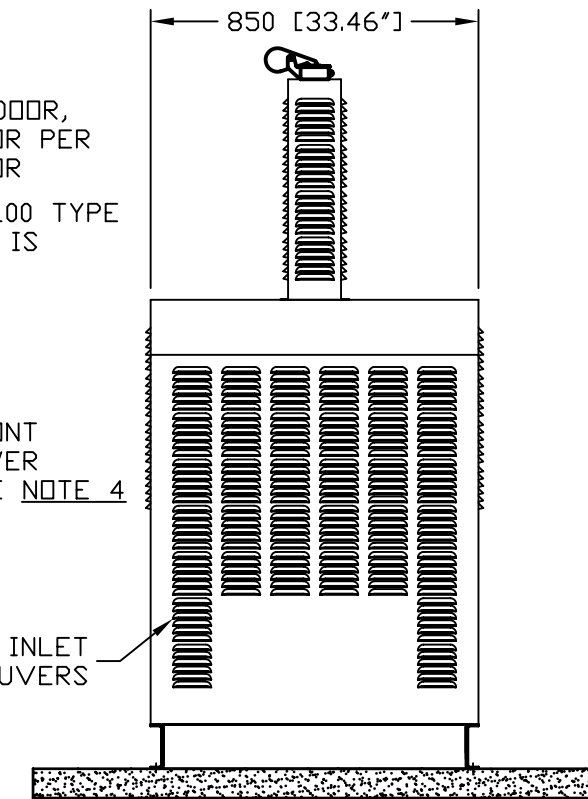
FIELD CUT HOLE FOR OUTSIDE CONDUIT CONNECTION ONLY. SEE NOTE 4A

443 [17.44\"]

WISE ACTION LATCH, TWO PER DOOR, ONE LIFT-OFF DOOR PER SIDE OF GENERATOR
 CONTROL PANEL R100 TYPE BATTERY CHARGER IS ENCLOSED WITHIN

FRONT COVER SEE NOTE 4

AIR INLET LOUVERS



REAR VIEW

GENERAC POWER SYSTEMS OWNS THE COPYRIGHT OF THIS DRAWING WHICH IS SUPPLIED IN CONFIDENCE AND MUST NOT BE USED FOR ANY PURPOSE OTHER THAN FOR WHICH IT IS SUPPLIED WITHOUT THE EXPRESS WRITTEN CONSENT OF GENERAC POWER SYSTEMS.

© GENERAC POWER SYSTEMS 2001

INSTALLATION DRAWING

3.0L 50KW & 3.9L 70KW

GENERAC POWER SYSTEMS

Waukesha

P.O. BOX 8
 WAUKESHA, WIS. 53187

FILE NAME OF6288-B.DWG

SIZE B

SCALE 1 = 20 FIRST USE QT SERIES

DWG NO. OF6288 REV B

ISSUE DATE: 3/24/05

INSTALLATION DRAWING